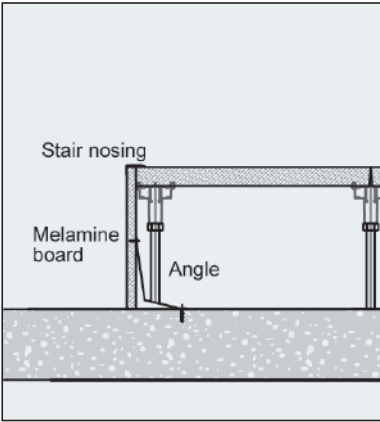
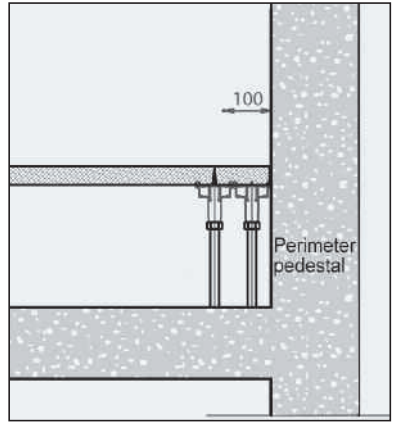


# Detailed sketches

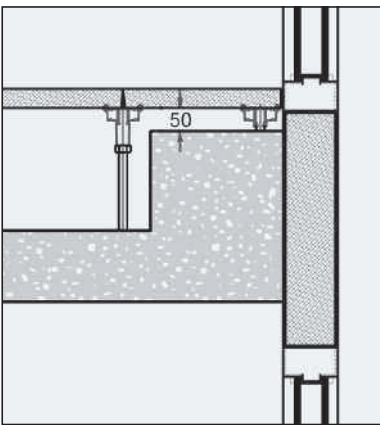


**Riser**



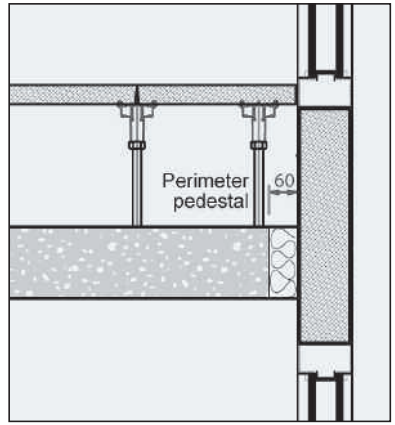
**Standard perimeter detail**

Minimum width of perimeter cuts :  
100mm



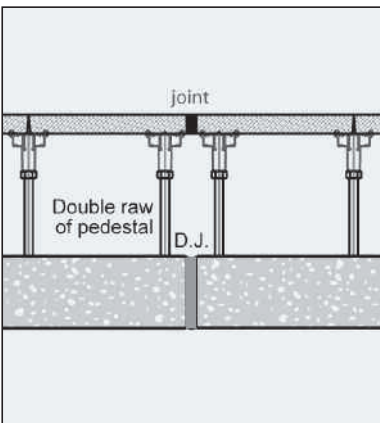
**Special perimeter detail**

Minimum free height : 50mm



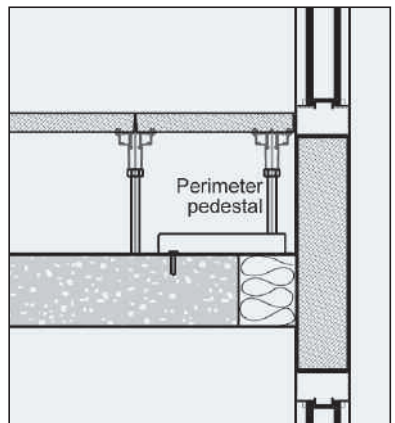
**Special perimeter detail**

Maximum void width : 60mm



**Dilatation joint**

Standard case



**Detail of profile over void along facade**

Void greater than 60mm